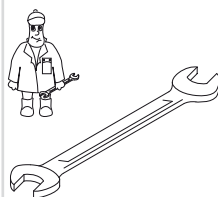




Gebr. Becker GmbH  
Hölker Feld 29-31  
D-42279 Wuppertal

Wartung  
Maintenance  
Entretien  
Manutenzione  
Mantenimiento



|                | Pos. | Menge <sup>2)</sup><br>Quantity<br>Quantité<br>Quantità<br>Cantidad | Bestell-Nr.<br>Ident No.<br>No. Identification<br>No. Identificazione<br>No. de pedido | Bezeichnung<br>Description<br>Designation<br>Designazione<br>Descripción  |
|----------------|------|---|--|---|
| <b>U 4.400</b> | ...  | 1   | 549000 26700   | Dichtungssatz, Complete set of seals, Jeu de joints, Kit di guarnizioni, Junta completa                                       |
|                | 6    | SATZ (KIT)  | 900580 00003   | Schieber, Rotor vane, Palette, Empujador  |
|                | 89   | 2   | 965410 00000   | Luftentölelement, Oil separating element, Element separation huile, Cartuccia separatore olio, Elemento de desaceitar de aire |
|                | 94   | 3   | 506000 12900   | Grobabscheider, Coarse separator, Separateur a gros, Separatore grossolano, Separador de solidos gruesos                      |

<sup>2)</sup> erforderliche Bestellmenge / necessary order quantity / quantité nécessaire / quantità di ordinazione necessari / cantidad necesario



Ersatzteilliste  
Spare parts list  
Liste de pièces de rechange  
Listino pezzi di ricambio  
Lista de piezas de recambio  
Lista de peças sobresselentes  
Reserveonderdelenlijst  
Reservedeliste  
Reservdelista

Reservedeliste  
Varaosaluettelo  
Wykaz części zamiennych  
Seznam náhradních dílů  
Tartalékalkatrész lista  
Κατάλογος ανταλλακτικών  
Перечень запасных частей  
备用零件目录  
スペアパーツリスト

U 4.400



28000026600 11/2007

## Index-D

|             |   |  |                 |
|-------------|---|--|-----------------|
| <br>SERVICE | <br>D-42279 Wuppertal<br>www.becker-international.com | year <input type="text" value="XXXX"/><br>No <input type="text" value="D"/><br>type <input type="text" value="U 4.400-XX"/>  | Index<br>Option |
|             | CE  | frequency <input type="text" value="XXXX"/> Hz<br>speed <input type="text" value="XXXX"/> min <sup>-1</sup><br>power required <input type="text" value="XXXX"/> kW<br>inlet capacity <input type="text" value="XXXX"/> m <sup>3</sup> /h<br>max. vacuum <input type="text" value="XXXX"/> mbar |                 |
|             |   | Made in <input type="radio"/> Germany  |                 |
|             |   | (D) <b>Service:</b><br>Tel: +49 (0)202 697-171<br>Fax: +49 (0)202 64 44 74<br>E-Mail: info@becker-international.com<br>www.becker-international.com  |                 |



U 4.400

| Pos. | Bestell Nr.  | Beschreibung                               |  |
|------|--------------|--|--|
| ...  | 549000 26700 | <b>DICHTUNGSSATZ</b> <sup>1)</sup>         |  |
| 2    | 000101 26600 | GEHÄUSE                                    |  |
| 3    | 020001 26600 | KOLBEN                                     |  |
| 4    | 912818 00000 | VERSCHLUSS-SCHRAUBE                        |  |
| 6    | 900580 00003 | <b>KUNSTSTOFFSCHIEBER</b> (SATZ)           |  |
| 7    | 016803 26600 | SCHEIBE                                    |  |
| 8    | 906605 00000 | NADELLAGER                                 |  |
| 10   | 906600 00800 | INNENRING                                  |  |
| 11   | 945270 00000 | INNENSECHSKANTSCHRAUBE                     |  |
| 12   | 948209 10000 | SEEGER-RING                                |  |
| 14   | 906530 00000 | WELLENDICHRING                             |  |
| 17   | 912871 00000 | VERSCHLUSS-SCHRAUBE                        |  |
| 18   | 000801 26600 | SEITENDECKEL                               |  |
| 19   | 000701 26600 | SEITENDECKEL                               |  |
| 20   | 912820 00000 | VERSCHLUSS-SCHRAUBE                        |  |
| 21   | 948744 00000 | KERBSTIFT                                  |  |
| 22   | 945390 00000 | INNENSECHSKANTSCHRAUBE                     |  |
| 24   | 005604 26600 | DECKEL                                     |  |
| 29   | 029100 26600 | VENTILTRÄGER                               |  |
| 30   | 033904 26600 | VENTILPLATTE                               |  |
| 33   | 928603 10000 | DRUCKFEDER                                 |  |
| 34   | 007800 26600 | GEWINDEFLANSCH                             |  |
| 35   | 948225 00000 | SICHERUNGSRING                             |  |
| 36   | 008000 26600 | SIEB                                       |  |
| 37   | 945351 00000 | INNENSECHSKANTSCHRAUBE                     |  |
| 38   | 946967 00000 | STIFTSCHRAUBE                              |  |
| 39   | 003700 26600 | DECKEL                                     |  |
| 42   | 947410 00000 | HUTMUTTER                                  |  |
| 43   | 951604 00000 | RINGMUTTER                                 |  |
| 44   | 947514 00000 | U-SCHEIBE                                  |  |
| 72   | 002402 26600 | ÖLABSCHEIDERGEHÄUSE                        |  |
| 74   | 022800 26600 | FILTERTRÄGER                               |  |
| 76   | 951049 02000 | STIFTSCHRAUBE                              |  |
| 77   | 033901 26600 | VENTILPLATTE                               |  |
| 78   | 030700 26600 | VENTILSCHEIBE                              |  |
| 79   | 917551 04000 | PASS-SCHEIBE                               |  |
| 80   | 948128 04000 | SEEGERRING                                 |  |
| 81   | 928602 80000 | DRUCKFEDER                                 |  |
| 82   | 950185 00000 | KLEMMSCHEIBE                               |  |
| 83   | 005603 26600 | DECKEL                                     |  |
| 84   | 945637 00000 | GEWINDESTIFT                               |  |
| 85   | 068010 26600 | DISTANZSTÜCK                               |  |
| 89   | 965410 00000 | <b>LUFTENTÖLELEMENT</b> (2x) <sup>2)</sup> |  |
| 90   | 968008 26600 | DISTANZSTÜCK                               |  |
| 92   | 951041 02000 | STIFTSCHRAUBE                              |  |
| 94   | 506000 12900 | <b>GROBABSCHIEDER</b> (3x) <sup>2)</sup>   |  |
| 95   | 905600 21900 | DECKEL                                     |  |
| 97   | 947402 00000 | HUTMUTTER                                  |  |
| 100  | 002504 26600 | ÖLABSCHEIDERDECKEL                         |  |
| 102  | 945391 00000 | INNENSECHSKANTSCHRAUBE                     |  |
| 103  | 945392 00000 | INNENSECHSKANTSCHRAUBE                     |  |
| 105  | 002500 26600 | ÖLABSCHEIDERDECKEL                         |  |
| 107  | 945353 00000 | INNENSECHSKANTSCHRAUBE                     |  |
| 108  | 945350 00000 | INNENSECHSKANTSCHRAUBE                     |  |
| 110  | 008003 26600 | SIEB                                       |  |
| 112  | 867800 99559 | SCHWIMMER                                  |  |
| 113  | 912300 00000 | ANSCHLUSS-SCHRAUBE                         |  |
| 115  | 003300 10700 | DÜSE                                       |  |
| 117  | 002501 26600 | ÖLABSCHEIDERDECKEL                         |  |
| 122  | 907309 00000 | ÖLSCHAUGLAS                                |  |
| 123  | 951220 00100 | VERSCHLUSS-SCHRAUBE                        |  |
| 126  | 916800 10000 | SCHRAUBDECKEL                              |  |
| 131  | 946945 00000 | STIFTSCHRAUBE                              |  |
| 133  | 951221 00100 | VERSCHLUSS-SCHRAUBE                        |  |
| 138  | 064600 26600 | FILTERMATTE                                |  |
| 139  | 008002 26600 | SIEB                                       |  |
| 144  | 068006 26600 | DISTANZSTÜCK                               |  |
| 145  | 948215 00000 | SEEGER-RING                                |  |
| 146  | 928603 30000 | DRUCKFEDER                                 |  |
| 151  | 502301 26600 | KUPPLUNGSHÄLFTE MIT VENTILATOR             |  |
| 192  | 947107 00000 | SECHSKANTMUTTER                            |  |
| 194  | 948516 00000 | FEDERRING                                  |  |



U 4.400

| Pos. | Bestell Nr.  | Beschreibung           |  |
|------|--------------|------------------------|--|
| 197  | 947820 00000 | PASSFEDER              |  |
| 198  | 016803 26600 | SCHEIBE                |  |
| 199  | 945270 00000 | SCHRAUBE               |  |
| 202  | 053200 26600 | LATERNE                |  |
| 203  | 945388 00000 | INNENSECHSKANTSCHRAUBE |  |
| 204  | 947515 00000 | U-SCHEIBE              |  |
| 205  | 948511 00000 | FEDERRING              |  |
| 206  | 948744 00000 | KERBSTIFT              |  |
| 208  | 003702 26600 | DECKEL                 |  |
| 211  | 003701 26600 | DECKEL                 |  |
| 212  | 945333 00000 | INNENSECHSKANTSCHRAUBE |  |
| 215  | 741341 00000 | GUMMIPUFFER            |  |
| 216  | 945633 00000 | GEWINDESTIFT           |  |
| 217  | 068001 26600 | DISTANZSTÜCK           |  |
| 218  | 946811 00000 | STIFTSCHRAUBE          |  |
| 222  | 560200 26600 | KÜHLER KOMPLETT        |  |
| 223  | 945348 00000 | INNENSECHSKANTSCHRAUBE |  |
| 224  | 951710 00000 | FEDERSCHEIBE           |  |
| 227  | 902102 26600 | MOTORKUPPLUNG          |  |
| 228  | 902227 00000 | KUPPLUNGSSCHEIBE       |  |
| 229  | 068004 26600 | DISTANZSTÜCK           |  |
| 231  | 946962 00000 | STIFTSCHRAUBE          |  |
| 233  | 947109 00000 | SECHSKANTMUTTER        |  |
| 234  | 947509 00000 | U-SCHEIBE              |  |
| 236  | 961710 00000 | WINKEL                 |  |
| 237  | 972308 00000 | ERMETO-VERSCHRAUBUNG   |  |
| 239  | 512200 26600 | ÖLRÜCKFÜHRLEITUNG      |  |
| 241  | 012204 26700 | LEITUNG                |  |
| 243  | 761703 01000 | ERMETO-VERSCHRAUBUNG   |  |
| 244  | 012206 26600 | LEITUNG                |  |
| 245  | 012207 26600 | LEITUNG                |  |
| 247  | 961709 00000 | WINKEL                 |  |
| 248  | 064101 57000 | PROFILGUMMI            |  |
| 251  | 009400 19000 | KUGELSTÜCKSCHRAUBE     |  |
| 255  | 518300 26600 | HAUBE                  |  |
| 256  | 945389 00000 | INNENSECHSKANTSCHRAUBE |  |
| 290  | 060900 26600 | DÄMPFUNGSMATTE         |  |
| 291  | 943400 90000 | TEMPERATURFÜHLER       |  |

<sup>1)</sup> Dichtungssatz - 549000 26700

- Pos.: 15, 16, 25, 31, 32, 40, 73, 87, 88, 101, 106, 109, 118, 124, 127, 141, 185, 191, 252, 254

<sup>2)</sup> erforderliche Bestellmenge / Wartung

OPTIONAL

- U 4.400 SA/K -25** Sonderausführung - mit Öl-Wasser-Kühler
- U 4.400 SA/K -51** Sonderausführung - mit Ölbadheizung, Niveau-Geber und Thermostat
- U 4.400 F/K -25** Sonderausführung - mit Öl-Wasser-Kühler
- U 4.400 F/K -51** Sonderausführung - mit Ölbadheizung, Niveau-Geber und Thermostat
- U 4.400 USA** alle Ausführungen

Abweichende Positionen zum Standardgerät - siehe Anhang (Zeichnungsrückseite)





U 4.400

| Pos. | Ident No.    | Description                               |
|------|--------------|---|
| ...  | 549000 26700 | COMPLETE SET OF SEALS <sup>1)</sup>       |
| 2    | 000101 26600 | PUMP BODY                                 |
| 3    | 020001 26600 | ROTOR                                     |
| 4    | 912818 00000 | SCREWED SEALING PLUG                      |
| 6    | 900580 00003 | PLASTIC VANES (KIT)                       |
| 7    | 016803 26600 | WASHER                                    |
| 8    | 906605 00000 | NEEDLE BEARING                            |
| 10   | 906600 00800 | INTERIOR RING                             |
| 11   | 945270 00000 | SOCKET HEAD SCREW                         |
| 12   | 948209 10000 | SEEGER-LOCKRING                           |
| 14   | 906530 00000 | SHAFT SEALING RING                        |
| 17   | 912871 00000 | LOCKING SCREW                             |
| 18   | 000801 26600 | LID                                       |
| 19   | 000701 26600 | LID                                       |
| 20   | 912820 00000 | LOCKING SCREW                             |
| 21   | 948744 00000 | GROOVED PIN                               |
| 22   | 945390 00000 | SOCKET HEAD SCREW                         |
| 24   | 005604 26600 | COVER                                     |
| 29   | 029100 26600 | VALVE SUPPORT                             |
| 30   | 033904 26600 | VALVE PLATE                               |
| 33   | 928603 10000 | PRESSURE SPRING                           |
| 34   | 007800 26600 | FLANGE                                    |
| 35   | 948225 00000 | LOCKING RING                              |
| 36   | 008000 26600 | SIEVE                                     |
| 37   | 945351 00000 | SOCKET HEAD SCREW                         |
| 38   | 946967 00000 | STUD                                      |
| 39   | 003700 26600 | COVER                                     |
| 42   | 947410 00000 | CAP NUT                                   |
| 43   | 951604 00000 | RING UNIT                                 |
| 44   | 947514 00000 | WASHER                                    |
| 72   | 002402 26600 | HOUSING FOR OIL SEPARATION                |
| 74   | 022800 26600 | FILTER HOLDER                             |
| 76   | 951049 02000 | STUD                                      |
| 77   | 033901 26600 | VALVE PLATE                               |
| 78   | 030700 26600 | VALVE WASHER                              |
| 79   | 917551 04000 | DISTANCE DISC                             |
| 80   | 948128 04000 | SEEGER LOCKRING                           |
| 81   | 928602 80000 | PRESSURE SPRING                           |
| 82   | 950185 00000 | SEEGER-LOCKRING                           |
| 83   | 005603 26600 | COVER                                     |
| 84   | 945637 00000 | THREADED PIN                              |
| 85   | 068010 26600 | SPACER BLOCK                              |
| 89   | 965410 00000 | OIL SEPARATION ELEMENT (2x) <sup>2)</sup> |
| 90   | 968008 26600 | SPACER BLOCK                              |
| 92   | 951041 02000 | STUD                                      |
| 94   | 506000 12900 | COARSE SEPARATOR (3x) <sup>2)</sup>       |
| 95   | 905600 21900 | COVER                                     |
| 97   | 947402 00000 | CAP NUT                                   |
| 100  | 002504 26600 | OIL SEPARATOR COVER                       |
| 102  | 945391 00000 | SOCKET HEAD SCREW                         |
| 103  | 945392 00000 | SOCKET HEAD SCREW                         |
| 105  | 002500 26600 | OIL SEPARATOR COVER                       |
| 107  | 945353 00000 | SOCKET HEAD SCREW                         |
| 108  | 945350 00000 | SOCKET HEAD SCREW                         |
| 110  | 008003 26600 | SIEVE                                     |
| 112  | 867800 99559 | FLOAT                                     |
| 113  | 912300 00000 | CONNECTING SCREW                          |
| 115  | 003300 10700 | NOZZLE                                    |
| 117  | 002501 26600 | OIL SEPARATOR COVER                       |
| 122  | 907309 00000 | OIL SIGHT GLASS                           |
| 123  | 951220 00100 | LOCKING SCREW                             |
| 126  | 916800 10000 | COVER                                     |
| 131  | 946945 00000 | STUD                                      |
| 133  | 951221 00100 | LOCKING SCREW                             |
| 138  | 064600 26600 | FILTER INSERT                             |
| 139  | 008002 26600 | SIEVE                                     |
| 144  | 068006 26600 | SPACER BLOCK                              |
| 145  | 948215 00000 | SEEGER-LOCKRING                           |
| 146  | 928603 30000 | PRESSURE SPRING                           |
| 151  | 502301 26600 | COUPLING WITH FAN                         |
| 192  | 947107 00000 | HEX. NUT                                  |
| 194  | 948516 00000 | SPRING WASHER                             |



U 4.400

| Pos. | Ident No.    | Description          |
|------|--------------|----------------------|
| 197  | 947820 00000 | KEY                  |
| 198  | 016803 26600 | WASHER               |
| 199  | 945270 00000 | SCREW                |
| 202  | 053200 26600 | CONNECTION FLANGE    |
| 203  | 945388 00000 | SOCKET HEAD SCREW    |
| 204  | 947515 00000 | WASHER               |
| 205  | 948511 00000 | SPRING WASHER        |
| 206  | 948744 00000 | GROOVED PIN          |
| 208  | 003702 26600 | COVER                |
| 211  | 003701 26600 | COVER                |
| 212  | 945333 00000 | SOCKET HEAD SCREW    |
| 215  | 741341 00000 | RUBBER BUFFER        |
| 216  | 945633 00000 | THREADED PIN         |
| 217  | 068001 26600 | SPACING COLLAR       |
| 218  | 946811 00000 | STUD                 |
| 222  | 560200 26600 | COOLER               |
| 223  | 945348 00000 | SOCKET HEAD SCREW    |
| 224  | 951710 00000 | SPRING DISC          |
| 227  | 902102 26600 | COUPLING MOTOR SIDE  |
| 228  | 902227 00000 | COUPLING DISC        |
| 229  | 068004 26600 | SPACER BLOCK         |
| 231  | 946962 00000 | STUD                 |
| 233  | 947109 00000 | HEX. NUT             |
| 234  | 947509 00000 | WASHER               |
| 236  | 961710 00000 | ELBOW                |
| 237  | 972308 00000 | THREADED JOINT       |
| 239  | 512200 26600 | OIL RETURN PIPE      |
| 241  | 012204 26700 | PIPE                 |
| 243  | 761703 01000 | THREADED JOINT       |
| 244  | 012206 26600 | PIPE                 |
| 245  | 012207 26600 | PIPE                 |
| 247  | 961709 00000 | ELBOW                |
| 248  | 064101 57000 | RUBBER PROFIL        |
| 251  | 009400 19000 | HOLLOW HOLDING SCREW |
| 255  | 518300 26600 | PROTECTING HOOD      |
| 256  | 945389 00000 | SOCKET HEAD SCREW    |
| 290  | 060900 26600 | SILENCER             |
| 291  | 943400 90000 | TEMPERATURE PROBE    |



<sup>1)</sup> Set of seals - 549000 26700  
- Pos.: 15, 16, 25, 31, 32, 40, 73, 87, 88, 101, 106, 109, 118, 124, 127, 135, 141, 185, 191, 242, 246, 252, 254  
<sup>2)</sup> necessary order quantity / maintenance

OPTIONAL

|              |     |  |
|--------------|-----|--|
| U 4.400 SA/K | -25 | Special design – with oil-to-water heat exchanger                        |
| U 4.400 SA/K | -51 | Special design – with oil bath heating, level transmitter and heat valve |
| U 4.400 F/K  | -25 | Special design – with oil-to-water heat exchanger                        |
| U 4.400 F/K  | -51 | Special design – with oil bath heating, level transmitter and heat valve |
| U 4.400      | USA | all types  |

Items different from standard appliance see appendix (back of drawing)

**D**  
Index

**U 4.400**

| Pos. | No. Identification | Designation  |
|------|--------------------|--|
| ...  | 549000 26700       | <b>JEU COMPLET DE JOINTS <sup>1)</sup></b>         |
| 2    | 000101 26600       | CARCASSE   |
| 3    | 020001 26600       | PISTON   |
| 4    | 912818 00000       | VIS DE FERMETURE                                   |
| 6    | 900580 00003       | <b>PALETTE ON PLASTIQUE (KIT)</b>                  |
| 7    | 016803 26600       | RONDELLE   |
| 8    | 906605 00000       | ROULEMENT À AIGUILLES                              |
| 10   | 906600 00800       | BAGUE INTERIEURE                                   |
| 11   | 945270 00000       | VIS HEXAGONALE INTERNE                             |
| 12   | 948209 10000       | BAGUE DE SURETE                                    |
| 14   | 906530 00000       | BAGUE D'ETANCHEITE                                 |
| 17   | 912871 00000       | BOUCHON  |
| 18   | 000801 26600       | COUVERCLE  |
| 19   | 000701 26600       | COUVERCLE  |
| 20   | 912820 00000       | BOUCHON  |
| 21   | 948744 00000       | GOUPILLE CYLINDRIQUE                               |
| 22   | 945390 00000       | VIS HEXAGONALE INTERNE                             |
| 24   | 005604 26600       | COUVERCLE  |
| 29   | 029100 26600       | SUPPORT DE SOUPE                                   |
| 30   | 033904 26600       | CLAPET   |
| 33   | 928603 10000       | RESSORT DE PRESSION                                |
| 34   | 007800 26600       | BRIDE  |
| 35   | 948225 00000       | BAGUE DE SURETE                                    |
| 36   | 008000 26600       | FILTRE   |
| 37   | 945351 00000       | VIS HEXAGONALE INTERNE                             |
| 38   | 948967 00000       | TOURILLON  |
| 39   | 003700 26600       | COUVERCLE  |
| 42   | 947410 00000       | ECROU BORGNE                                       |
| 43   | 951604 00000       | ECROU A ANNEAU                                     |
| 44   | 947514 00000       | RONDELLE   |
| 72   | 002402 26600       | CARCASSE POUR SEPARATION D'HUILE                   |
| 74   | 022800 26600       | SUPPORT FILTRE                                     |
| 76   | 951049 02000       | TOURILLON  |
| 77   | 033901 26600       | CLAPET   |
| 78   | 030700 26600       | DISQUE DE SOUPE                                    |
| 79   | 917551 04000       | DISQUE DE TOLERANCE                                |
| 80   | 948128 04000       | BAGUE DE SURETE                                    |
| 81   | 928602 80000       | RESSORT DE PRESSION                                |
| 82   | 950185 00000       | BAGUE DE SURETE                                    |
| 83   | 005603 26600       | COUVERCLE  |
| 84   | 945637 00000       | GOUPILLE FILETEE                                   |
| 85   | 068010 26600       | PIECE D'ECARTEMENT                                 |
| 89   | 965410 00000       | <b>ELEMENT SEPARATION HUILE (2x) <sup>2)</sup></b> |
| 90   | 968008 26600       | PIECE D'ECARTEMENT                                 |
| 92   | 951041 02000       | TOURILLON  |
| 94   | 506000 12900       | <b>SEPARATEUR A GROS (3x) <sup>2)</sup></b>        |
| 95   | 905600 21900       | COUVERCLE  |
| 97   | 947402 00000       | ECROU BORGNE                                       |
| 100  | 002504 26600       | COUVERCLE SEPARATEUR D'HUILE                       |
| 102  | 945391 00000       | VIS HEXAGONALE INTERNE                             |
| 103  | 945392 00000       | VIS HEXAGONALE INTERNE                             |
| 105  | 002500 26600       | COUVERCLE DU SEPARATEUR D'HUILE                    |
| 107  | 945353 00000       | VIS HEXAGONALE INTERNE                             |
| 108  | 945350 00000       | VIS HEXAGONALE INTERNE                             |
| 110  | 008003 26600       | TAMIS  |
| 112  | 867800 99559       | PIED CAOUTCHOVE                                    |
| 113  | 912300 00000       | VIS DE RACCORD                                     |
| 115  | 003300 10700       | GICLEUR  |
| 117  | 002501 26600       | COUVERCLE DU SEPARATEUR D'HUILE                    |
| 122  | 907309 00000       | VERRE REGARD                                       |
| 123  | 951220 00100       | BOUCHON  |
| 126  | 916800 10000       | COUVERCLE  |
| 131  | 948945 00000       | PRISONNIER   |
| 133  | 951221 00100       | BOUCHON  |
| 138  | 064600 26600       | FILTRE DE RECHANGE                                 |
| 139  | 008002 26600       | FILTRE   |
| 144  | 068006 26600       | PIECE D'ECARTEMENT                                 |
| 145  | 948215 00000       | BAGUE DE SURETE                                    |
| 146  | 928603 30000       | RESSORT DE PRESSION                                |
| 151  | 502301 26600       | ACCOUPLLEMENT AVEC VENTILATEUR                     |
| 192  | 947107 00000       | ECROU A 6 PANS                                     |
| 194  | 948516 00000       | ANNEAU RESSORT                                     |

**D**  
Index

**U 4.400**

| Pos. | No. Identification | Designation               |
|------|--------------------|---------------------------|
| 197  | 947820 00000       | CLAVETTE                  |
| 198  | 016803 26600       | RONDELLE                  |
| 199  | 945270 00000       | VIS                       |
| 202  | 053200 26600       | BRIDE DE RACCORDEMENT     |
| 203  | 945388 00000       | VIS HEXAGONALE INTERNE    |
| 204  | 947515 00000       | RONDELLE                  |
| 205  | 948511 00000       | ANNEAU RESSORT            |
| 206  | 948744 00000       | GOUPILLE À ENCOCHES       |
| 208  | 003702 26600       | COUVERCLE                 |
| 211  | 003701 26600       | COUVERCLE                 |
| 212  | 945333 00000       | VIS HEXAGONALE INTERNE    |
| 215  | 741341 00000       | AMORTISSEUR EN CAOUTCHOUC |
| 216  | 945633 00000       | GOUPILLE FILETEE          |
| 217  | 068001 26600       | DONILLE D'ECARMENT        |
| 218  | 946811 00000       | TOURILLON                 |
| 222  | 560200 26600       | REFROIDISSEUR             |
| 223  | 945348 00000       | VIS HEXAGONALE INTERNE    |
| 224  | 951710 00000       | DISQUE DE RESSORT         |
| 227  | 902102 26600       | ACCOUPLLEMENT MOTEUR      |
| 228  | 902227 00000       | DISQUE D'ACCOUPLLEMENT    |
| 229  | 068004 26600       | PIECE D'ECARTEMENT        |
| 231  | 946962 00000       | TOURILLON                 |
| 233  | 947109 00000       | ECROU A 6 PANS            |
| 234  | 947509 00000       | RONDELLE                  |
| 236  | 961710 00000       | COUDES                    |
| 237  | 972308 00000       | RACCORD A VIS             |
| 239  | 512200 26600       | TUYAU D'HUILE             |
| 241  | 012204 26700       | TUYAU                     |
| 243  | 761703 01000       | RACCORD A VIS             |
| 244  | 012206 26600       | TUYAU                     |
| 245  | 012207 26600       | TUYAU                     |
| 247  | 961709 00000       | COUDES                    |
| 248  | 064101 57000       | CAOUTCHOUC PROFILE        |
| 251  | 009400 19000       | VIS CREUSE DE FIXATION    |
| 255  | 518300 26600       | CARTER PROTECTEUR         |
| 256  | 945389 00000       | VIS HEXAGONALE INTERNE    |
| 290  | 060900 26600       | AMORTISSEUR               |
| 291  | 943400 90000       | PALPEUR DE TEMPÉRATURE    |

<sup>1)</sup> Jeu de joints - 549000 26700

- Pos.: 15, 16, 25, 31, 32, 40, 73, 87, 88, 101, 106, 109, 118, 124, 127, 135, 141, 185, 191, 242, 246, 252, 254

<sup>2)</sup> quantité nécessaire / entretien

**EN OPTION**

|                     |            |  |
|---------------------|------------|--|
| <b>U 4.400 SA/K</b> | <b>-25</b> | Fabrication spéciale – avec réfrigérant à l'huile et à l'eau                           |
| <b>U 4.400 SA/K</b> | <b>-51</b> | Fabrication spéciale – avec chauffage du bain d'huile, capteur de niveau et thermostat |
| <b>U 4.400 F/K</b>  | <b>-25</b> | Fabrication spéciale – avec réfrigérant à l'huile et à l'eau                           |
| <b>U 4.400 F/K</b>  | <b>-51</b> | Fabrication spéciale – avec chauffage du bain d'huile, capteur de niveau et thermostat |
| <b>U 4.400</b>      | <b>USA</b> | Tous les exécution   |

Articles divergents vis-à-vis de l'appareil standard, voir annexe (dos du dessin / du plan)



| Pos. | No. Identificazione | Designazione  |
|------|---------------------|---|
| ...  | 549000 26700        | <b>SERIE COMPLETA DI GUARNIZIONE <sup>1)</sup></b>  |
| 2    | 000101 26600        | CARCASSA  |
| 3    | 020001 26600        | ROTORE  |
| 4    | 912818 00000        | TAPPO A VITE  |
| 6    | 900580 00003        | <b>PALETTA IN PLASTICA (KIT)</b>                    |
| 7    | 016803 26600        | RONDELLA  |
| 8    | 906605 00000        | CUSCINETTO AD AGHI                                  |
| 10   | 906600 00800        | ANELLO INTERNO                                      |
| 11   | 945270 00000        | VITE ESAGONALE INTERNA                              |
| 12   | 948209 10000        | ANELLO DI SICUREZZA                                 |
| 14   | 906530 00000        | ANELLO DI TENUTA                                    |
| 17   | 912871 00000        | VITE DI CHIUSURA                                    |
| 18   | 000801 26600        | COPERCHIO   |
| 19   | 000701 26600        | COPERCHIO   |
| 20   | 912820 00000        | TAPPO A VITE  |
| 21   | 948744 00000        | PERNO   |
| 22   | 945390 00000        | VITE ESAGONALE INTERNA                              |
| 24   | 005604 26600        | COPERCHIO   |
| 29   | 029100 26600        | SEDE DELLA VALVOLA                                  |
| 30   | 033904 26600        | SUPPORTO VALVOLA                                    |
| 33   | 928603 10000        | MOLLA DELLA PRESSIONE                               |
| 34   | 007800 26600        | FLANGIA   |
| 35   | 948225 00000        | ANELLO DI SICUREZZA                                 |
| 36   | 008000 26600        | FILTRO  |
| 37   | 945351 00000        | VITE ESAGONALE INTERNA                              |
| 38   | 946967 00000        | L'ASTA A VITE                                       |
| 39   | 003700 26600        | COPERCHIO   |
| 42   | 947410 00000        | DADO CIECO  |
| 43   | 951604 00000        | GOLFARE CON FORO FILETTATO                          |
| 44   | 947514 00000        | RONDELLA  |
| 72   | 002402 26600        | CARCASSE SEPARAZIONE OLIO                           |
| 74   | 022800 26600        | SUPPORTO FILTRO                                     |
| 76   | 951049 02000        | L'ASTA A VITE                                       |
| 77   | 033901 26600        | SUPPORTO VALVOLA                                    |
| 78   | 030700 26600        | DISCO DELLA VALVOLA                                 |
| 79   | 917551 04000        | DISCO A DISTANZA                                    |
| 80   | 948128 04000        | ANELLO DI SICUREZZA                                 |
| 81   | 928602 80000        | MOLLA DELLA PRESSIONE                               |
| 82   | 950185 00000        | ANELLO DI SICUREZZA                                 |
| 83   | 005603 26600        | COPERCHIO   |
| 84   | 945637 00000        | SPINA FILETTATURA                                   |
| 85   | 068010 26600        | DISTANZIATORE                                       |
| 89   | 965410 00000        | <b>CARTUCCIA SEPARATORE OLIO (2x) <sup>2)</sup></b> |
| 90   | 968008 26600        | DISTANZIATORE                                       |
| 92   | 951041 02000        | L'ASTA A VITE                                       |
| 94   | 506000 12900        | <b>SEPARATORE GROSSOLANO (3x) <sup>2)</sup></b>     |
| 95   | 905600 21900        | COPERCHIO   |
| 97   | 947402 00000        | DADO CIECO  |
| 100  | 002504 26600        | COPERCHIO SEPARATOR OLIO                            |
| 102  | 945391 00000        | VITE ESAGONALE INTERNA                              |
| 103  | 945392 00000        | VITE ESAGONALE INTERNA                              |
| 105  | 002500 26600        | COPERCHIO SEPARATORE OLIO                           |
| 107  | 945353 00000        | VITE ESAGONALE INTERNA                              |
| 108  | 945350 00000        | VITE ESAGONALE INTERNA                              |
| 110  | 008003 26600        | STACCIO   |
| 112  | 867800 99559        | GALLEGGIANTE  |
| 113  | 912300 00000        | ATTACO FILETTATO                                    |
| 115  | 003300 10700        | UGELLO  |
| 117  | 002501 26600        | COPERCHIO SEPARATORE OLIO                           |
| 122  | 907309 00000        | SPIA LIVELLO OLIO                                   |
| 123  | 951220 00100        | VITE DI CHIUSURA                                    |
| 126  | 916800 10000        | COPERCHIO   |
| 131  | 946945 00000        | L'ASTA A VITE                                       |
| 133  | 951221 00100        | VITE DI CHIUSURA                                    |
| 138  | 064600 26600        | FILTRO DI RICAMBIO                                  |
| 139  | 008002 26600        | FILTRO  |
| 144  | 068006 26600        | DISTANZIATORE                                       |
| 145  | 948215 00000        | ANELLO DI SICUREZZA                                 |
| 146  | 928603 30000        | MOLLA DELLA PRESSIONE                               |
| 151  | 502301 26600        | GIUNTO CON VENTILATORE                              |
| 192  | 947107 00000        | DADO ESAGONALE                                      |
| 194  | 948516 00000        | RONDELLA GROWER                                     |

| Pos. | No. Identificazione | Designazione             |
|------|---------------------|--------------------------|
| 197  | 947820 00000        | CHIAVETTA                |
| 198  | 016803 26600        | RONDELLA                 |
| 199  | 945270 00000        | VITE                     |
| 202  | 053200 26600        | FLANGIA DI RACCORDE      |
| 203  | 945388 00000        | VITE ESAGONALE INTERNA   |
| 204  | 947515 00000        | RONDELLA PIANA           |
| 205  | 948511 00000        | RONDELLA GROWER          |
| 206  | 948744 00000        | SPINA SCANALATA          |
| 208  | 003702 26600        | COPERCHIO                |
| 211  | 003701 26600        | COPERCHIO                |
| 212  | 945333 00000        | VITE ESAGONALE INTERNA   |
| 215  | 741341 00000        | AMMORTIZZATORE IN GOMMA  |
| 216  | 945633 00000        | VITE SENZA TESTA         |
| 217  | 068001 26600        | BOCCOLA DISTANZIATRICE   |
| 218  | 946811 00000        | VITE PRIGIONIERA         |
| 222  | 560200 26600        | RAFFREDDATORE            |
| 223  | 945348 00000        | VITE ESAGONALE INTERNA   |
| 224  | 951710 00000        | DISCO A MOLLA            |
| 227  | 902102 26600        | GIUNTO MOTORE            |
| 228  | 902227 00000        | DISCO GIUNTO             |
| 229  | 068004 26600        | BOCCOLA DISTANZIATRICE   |
| 231  | 946962 00000        | VITE PRIGIONIERA         |
| 233  | 947109 00000        | DADO ESAGONALE           |
| 234  | 947509 00000        | RONDELLA PIANA           |
| 236  | 961710 00000        | GOMITO                   |
| 237  | 972308 00000        | RACCORDO A VITE          |
| 239  | 512200 26600        | CONDOTTO OLIO            |
| 241  | 012204 26700        | CONDOTTO                 |
| 243  | 761703 01000        | RACCORDO A VITE          |
| 244  | 012206 26600        | CONDOTTO                 |
| 245  | 012207 26600        | CONDOTTO                 |
| 247  | 961709 00000        | GOMITO                   |
| 248  | 064101 57000        | GOMMA PROFILOTO          |
| 251  | 009400 19000        | VITE PASSAGGIO OLIO      |
| 255  | 518300 26600        | CARTER DI PROTEZIONE     |
| 256  | 945389 00000        | VITE ESAGONALE INTERNA   |
| 290  | 060900 26600        | SILENZIATORE             |
| 291  | 943400 90000        | PALPATORE DI TEMPERATURA |

<sup>1)</sup> Serie di guarnizione - 549000 26700

- Pos.: 15, 16, 25, 31, 32, 40, 73, 87, 88, 101, 106, 109, 118, 124, 127, 135, 141, 185, 191, 242, 246, 252, 254

<sup>2)</sup> quantità di ordinazione necessari / manutenzione

OPZIONALE

|                     |            |   |
|---------------------|------------|---|
| <b>U 4.400 SA/K</b> | <b>-25</b> | Modello speciale - con radiatore ad olio - acqua  |
| <b>U 4.400 SA/K</b> | <b>-51</b> | Modello speciale - con riscaldamento a bagno d'olio, indicatore di livello e termostato |
| <b>U 4.400 F/K</b>  | <b>-25</b> | Modello speciale - con radiatore ad olio - acqua  |
| <b>U 4.400 F/K</b>  | <b>-51</b> | Modello speciale - con riscaldamento a bagno d'olio, indicatore di livello e termostato |
| <b>U 4.400</b>      | <b>USA</b> | Tutte tipi  |

Vedere allegato (retro del disegno) per le posizioni divergenti dall'apparecchio standard



| Pos. | No. De pedido | Descripción  |
|------|---------------|--|
| ...  | 549000 26700  | <b>JUEGO DE JUNTA <sup>1)</sup></b>                      |
| 2    | 000101 26600  | CARCASA  |
| 3    | 020001 26600  | ÉMBOLO   |
| 4    | 912818 00000  | TORNILLO DE CIERRE                                       |
| 6    | 900580 00003  | <b>DESPLAZADOR DE PLÁSTICO (KIT)</b>                     |
| 7    | 016803 26600  | ARANDELA   |
| 8    | 906605 00000  | COJINETE DE AGUJAS                                       |
| 10   | 906600 00800  | ANILLO INTERIOR  |
| 11   | 945270 00000  | TORNILLO HEXAGONAL INTERIOR                              |
| 12   | 948209 10000  | ANILLO DE RETENCIÓN                                      |
| 14   | 906530 00000  | ANILLO DE JUNTA DE ÁRBOL                                 |
| 17   | 912871 00000  | TORNILLO DE CIERRE                                       |
| 18   | 000801 26600  | TAPA LATERAL   |
| 19   | 000701 26600  | TAPA LATERAL   |
| 20   | 912820 00000  | TORNILLO DE CIERRE                                       |
| 21   | 948744 00000  | PASADOR CILÍNDRICO ESTRIADO                              |
| 22   | 945390 00000  | TORNILLO HEXAGONAL INTERIOR                              |
| 24   | 005604 26600  | TAPA   |
| 29   | 029100 26600  | SOPORTE DE VÁLVULA                                       |
| 30   | 033904 26600  | PLACA DE VÁLVULA   |
| 33   | 928603 10000  | MUELLE DE COMPRESIÓN                                     |
| 34   | 007800 26600  | BRIDA ROSCADA  |
| 35   | 948225 00000  | ANILLO DE ASEGURAMIENTO                                  |
| 36   | 008000 26600  | CRIBA  |
| 37   | 945351 00000  | TORNILLO HEXAGONAL INTERIOR                              |
| 38   | 946967 00000  | ESPÁRRAGO  |
| 39   | 003700 26600  | TAPA   |
| 42   | 947410 00000  | TUERCA DE CAPERUZA                                       |
| 43   | 951604 00000  | TUERCA DE CÁNCAMO  |
| 44   | 947514 00000  | ARANDELA   |
| 72   | 002402 26600  | CARCASA DE SEPARADOR DE ACEITE                           |
| 74   | 022800 26600  | SOPORTE DE FILTRO  |
| 76   | 951049 02000  | ESPÁRRAGO  |
| 77   | 033901 26600  | PLACA DE VÁLVULA   |
| 78   | 030700 26600  | DISCO DE VÁLVULA   |
| 79   | 917551 04000  | ARANDELA DE AJUSTE                                       |
| 80   | 948128 04000  | ANILLO DE RETENCIÓN                                      |
| 81   | 928602 80000  | MUELLE DE COMPRESIÓN                                     |
| 82   | 950185 00000  | ABRAZADERA DE APRIETE                                    |
| 83   | 005603 26600  | TAPA   |
| 84   | 945637 00000  | VARILLA ROSCADA  |
| 85   | 068010 26600  | PIEZA DISTANCIADORA                                      |
| 89   | 965410 00000  | <b>ELEMENTO DE DESACEITAR DE AIRE (2x) <sup>2)</sup></b> |
| 90   | 968008 26600  | PIEZA DISTANCIADORA                                      |
| 92   | 951041 02000  | ESPÁRRAGO  |
| 94   | 506000 12900  | <b>SEPARADOR DE SÓLIDOS GRUESOS (3x) <sup>2)</sup></b>   |
| 95   | 905600 21900  | TAPA   |
| 97   | 947402 00000  | TUERCA CIEGA   |
| 100  | 002504 26600  | TAPA DE SEPARADOR DE ACEITE                              |
| 102  | 945391 00000  | TORNILLO HEXAGONAL INTERIOR                              |
| 103  | 945392 00000  | TORNILLO HEXAGONAL INTERIOR                              |
| 105  | 002500 26600  | TAPA DE SEPARADOR DE ACEITE                              |
| 107  | 945353 00000  | TORNILLO HEXAGONAL INTERIOR                              |
| 108  | 945350 00000  | TORNILLO HEXAGONAL INTERIOR                              |
| 110  | 008003 26600  | CRIBA  |
| 112  | 867800 99559  | FLOTADOR   |
| 113  | 912300 00000  | TORNILLO DE EMPALME                                      |
| 115  | 003300 10700  | TOBERA   |
| 117  | 002501 26600  | TAPA DE SEPARADOR DE ACEITE                              |
| 122  | 907309 00000  | CRISTAL MIRILLA DE ACEITE                                |
| 123  | 951220 00100  | TORNILLO DE CIERRE                                       |
| 126  | 916800 10000  | TAPA ROSCADA   |
| 131  | 946945 00000  | ESPÁRRAGO  |
| 133  | 951221 00100  | TORNILLO DE CIERRE                                       |
| 138  | 064600 26600  | ESTERA DE FILTRO   |
| 139  | 008002 26600  | CRIBA  |
| 144  | 068006 26600  | PIEZA DISTANCIADORA                                      |
| 145  | 948215 00000  | ANILLO DE RETENCIÓN                                      |
| 146  | 928603 30000  | MUELLE DE COMPRESIÓN                                     |
| 151  | 502301 26600  | MITAD DE ACOPLAMIENTO CON VENTILADOR                     |
| 192  | 947107 00000  | TUERCA HEXAGONAL   |
| 194  | 948516 00000  | ARANDELA DE MUELLE                                       |

| Pos. | No. De pedido | Descripción                             |
|------|---------------|---|
| 197  | 947820 00000  | LENGÜETA DE AJUSTE                      |
| 198  | 016803 26600  | ARANDELA                                |
| 199  | 945270 00000  | TORNILLO                                |
| 202  | 053200 26600  | FAROL                                   |
| 203  | 945388 00000  | TORNILLO HEXAGONAL INTERIOR             |
| 204  | 947515 00000  | ARANDELA                                |
| 205  | 948511 00000  | ARANDELA DE MUELLE                      |
| 206  | 948744 00000  | PASADOR ESTRIADO                        |
| 208  | 003702 26600  | TAPA                                    |
| 211  | 003701 26600  | TAPA                                    |
| 212  | 945333 00000  | TORNILLO HEXAGONAL INTERIOR             |
| 215  | 741341 00000  | AMORTIGUADOR DE GOMA                    |
| 216  | 945633 00000  | VARILLA ROSCADA                         |
| 217  | 068001 26600  | PIEZA DISTANCIADORA                     |
| 218  | 946811 00000  | ESPÁRRAGO                               |
| 222  | 560200 26600  | REFRIGERADOR COMPLETO                   |
| 223  | 945348 00000  | TORNILLO HEXAGONAL INTERIOR             |
| 224  | 951710 00000  | ARANDELA ELÁSTICA                       |
| 227  | 902102 26600  | ACOPLAMIENTO DE MOTOR                   |
| 228  | 902227 00000  | DISCO DE ACOPLAMIENTO                   |
| 229  | 068004 26600  | PIEZA DISTANCIADORA                     |
| 231  | 946962 00000  | ESPÁRRAGO                               |
| 233  | 947109 00000  | TUERCA HEXAGONAL                        |
| 234  | 947509 00000  | ARANDELA                                |
| 236  | 961710 00000  | ÁNGULO                                  |
| 237  | 972308 00000  | ATORNILLADURA ERMETO                    |
| 239  | 512200 26600  | CONDUCTO DE RETROALIMENTACIÓN DE ACEITE |
| 241  | 012204 26700  | CONDUCTO                                |
| 243  | 761703 01000  | ATORNILLADURA ERMETO                    |
| 244  | 012206 26600  | CONDUCTO                                |
| 245  | 012207 26600  | CONDUCTO                                |
| 247  | 961709 00000  | ÁNGULO                                  |
| 248  | 064101 57000  | GOMA PERFILADA                          |
| 251  | 009400 19000  | TORNILLO DE PIEZA ESFÉRICA              |
| 255  | 518300 26600  | CAPERUZA                                |
| 256  | 945389 00000  | TORNILLO HEXAGONAL INTERIOR             |
| 290  | 060900 26600  | ESTERA DE AMORTIGUADOR                  |
| 291  | 943400 90000  | SENSOR DE TEMPERATURA                   |

<sup>1)</sup> Junta completa - 549000 26700

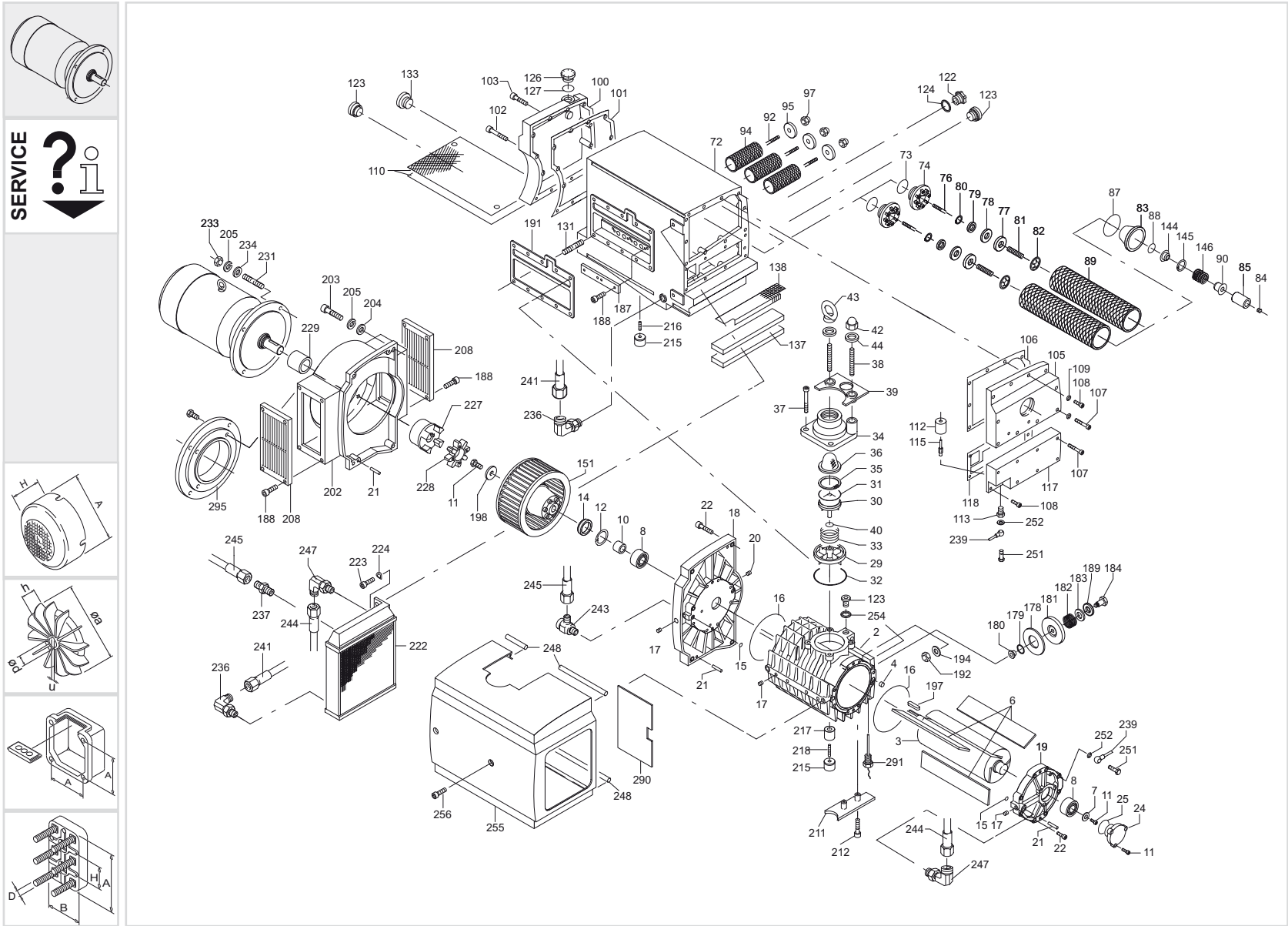
- Pos.: 15, 16, 25, 31, 32, 40, 73, 87, 88, 101, 106, 109, 118, 124, 127, 135, 141, 185, 191, 242, 246, 252, 254

<sup>2)</sup> cantidad necesario / mantenimiento

**OPCIONAL**

|                     |            |   |
|---------------------|------------|---|
| <b>U 4.400 SA/K</b> | <b>-25</b> | Versión especial – con refrigerador aceite-agua   |
| <b>U 4.400 SA/K</b> | <b>-51</b> | Versión especial – con calefacción de baño de aceite, codificador de nivel y termostato |
| <b>U 4.400 F/K</b>  | <b>-25</b> | Versión especial – con refrigerador aceite-agua   |
| <b>U 4.400 F/K</b>  | <b>-51</b> | Versión especial – con calefacción de baño de aceite, codificador de nivel y termostato |
| <b>U 4.400</b>      | <b>USA</b> | Versión general   |

Para posiciones que derivan del aparato standard véase apéndice (lado trasero del plano) 






SERVICE ?

standard

U 4.400 SA/K

U 4.400 F/K

optional   
 en option  
 optionale  
 opcional

| optional<br>en option<br>optionale<br>opcional  | Variante(n)<br>Modifications<br>Variantes           | Pos <sup>3)</sup>   | Bestell Nr. / Ident No. / No. Identification<br>/ No. Identificazione / No. De pedido  |  | Beschreibung / Description / Designation / Designazione / Desripcion   |
|--|---|---|--|--|--|
|  |   |   |   |                             |  |
| U 4.400 SA/K-XX<br><br>U 4.400 F/K-XX  | U 4.400 F/K   | 178<br>179<br>180<br>181<br>182<br>183<br>184<br>187<br>188 | 030701 26600<br>030702 26600<br>016802 26600<br>033901 26600<br>928603 20000<br>016800 26600<br>028501 26600<br>013300 26600<br>945330 00000 |  | VENTILSCHEIBE / VALVE WASHER / TETE DE SOUPAPE / DISCO DELLA VALVOLA / DISCO DE VÁLVULA<br>VENTILSCHEIBE / VALVE WASHER / TETE DE SOUPAPE / DISCO DELLA VALVOLA / DISCO DE VÁLVULA<br>SPANNSCHEIBE / CLAMPING DISC / DISQUE DE SERRAGE / DISCO DI FISSAGGIO / ARANDELA TENSORA<br>VENTILPLATTE / VALVE PLATE / CLAPET / SUPPORTO VALVOLA / PLACA DE VÁLVULA<br>DRUCKFEDER / PRESSURE SPRING / RESSORT DE PRESSION / MOLLA DELLA PRESSIONE / MUELLE DE COMPRESIÓN<br>SPANNSCHEIBE / CLAMPING DISC / DISQUE DE SERRAGE / DISCO DI FISSAGGIO / ARANDELA TENSORA<br>VENTILBOLZEN / VALVE BOLT / TIGE DE SOUPAPE / VALVOLA BULLONE / BULÓN DE VÁLVULA<br>PRALLBLECH / BAFFLE / DÉFLECTEUR / DEFLETTORE / DEFLECTOR<br>INNENSECHSKANTSCHRAUBE / SOCKET HEAD SCREW / VIS HEXAGONALE INTERNE / VITE ESAGONALE INTERNA / TORNILLO<br>HEXAGONAL INTERIOR |
|  | U 4.400 (USA)<br>(all variants, plus<br>auxiliarys) | 34<br>105<br><br>227<br>229<br>295                          | 007801 26600<br>002503 26600<br><br>902103 26600<br>068093 26600<br>037900 26600   | <del>007800-26600</del><br><del>002500-26600</del><br><br><del>902102-26600</del><br><del>068004-26600</del> | GEWINDEFLANSCH / FLANGE / BRIDE / FLANGIA / BRIDA ROSCADA<br>ÖLABSCHEIDERDECKEL / OIL SEPARATOR COVER / COUVERCLE DE SEPARATEUR D'HUILE /<br>COPERCHIO SEPARAZIONE OLIO / TAPA DE SEPARADOR DE ACEITE<br>MOTORKUPPLUNG / COUPLING MOTORSIDE / ACCOUPLEMENT MOTEUR / GUINTO MOTORE / ACOPLAMIENTO DE MOTOR<br>Distanzstück / SPACER BLOCK / PIECE D'ECARTEMENT / DISTANZIATORE / PIEZA DISTANCIADORA<br>Zwischenflansch / FLANGE / BRIDE / FLANGIA / BRIDA INTERMEDIA   |
|  | U 4.400 SA/K-25<br>U 4.400 F/K-25                   | 72<br><br>116<br>121<br>125                                 | 002403 26600<br><br>012400 26600<br>560202 26600<br>948029 00000   | <del>002402-26600</del>  | ÖLABSCHEIDERGEHÄUSE / HOUSING FOR OIL SEPARATION / CORP DE SEPARATEUR D'HUILE /<br>CARCASSA SEPARAZIONE OLIO / CARCASA DE SEPARADOR DE ACEITE<br>Zwischenstück / INTERMEDIATE PIECE / BRIDE / FLANGE / PIEZA INTERMEDIA<br>KÜHLER / COOLER / REFROIDISSEUR / RAFFREDDATORE / REFRIGERADOR<br>KUPFERRING / SEALING RING / JOINT / ANELLO / ANILLO DE COBRE  |
|  | U 4.400 SA/K-51<br>U 4.400 F/K-51                   | 72<br><br>121<br>129<br>130<br>133<br>134                   | 002403 26600<br><br>560201 26600<br>943400 70000<br>300300 07000<br><br>741103 99682   | <del>002402-26600</del><br><br><br><br><br><br><br>954224-00400  | ÖLABSCHEIDERGEHÄUSE / HOUSING FOR OIL SEPARATION / CORP DE SEPARATEUR D'HUILE /<br>CARCASSA SEPARAZIONE OLIO / CARCASA DE SEPARADOR DE ACEITE<br>ROHRHEIZKÖRPER / PIPE HEATER / CORPS DE CHAUFFE / SCALDIGLIA / CALEFACTOR TUBULAR<br>TEMPERATURWÄCHTER / THERMOSTAT / THERMOSTAT / INTERRUTTORE TERMICO / TERMOSTATO<br>REDUZIER-NIPPEL / REDUCING BUSHES / MAMELONS REDUITS / RACCORDO DI RIDUZIONE / BOQUILLA DE REDUCCIÓN<br>VERSCHLUSS-SCHRAUBE / SCREW PLUG / BOUCHON / VITE DI CHIUSURA / TORNILLO DE CIERRE<br>NIVEAUGEBER / LEVEL TRANSMITTER / CAPTEUR DE NIVEAU / INDICATORE DI LIVELLO / CODIFICADOR DE NIVEL  |

<sup>3)</sup> variantenabhängige Bauteile / variant-dependent components / composants variante-dependantes / componenti variante-dispendenti / componentes variante-dependientes



standard